

## APPLICATIONS

- Sorting for Transportation & Logistics (Express Couriers, Postal applications)
- Sorting for Distribution (large Logistic/Distribution Centers)
- Sorting for Baggage Handling Systems

## ADVANTAGES

- Increased overall product reliability and easy replacement by means of Compact-Flash memory
- Easy and simple configuration thanks to Datalogic GENIUS™ software via simple RS232 serial link or remote Ethernet connectivity
- Features a special 9-pin port for standard Modem connectivity
- Compatible with 6000 and 8000 Family scanners (bus versions)

## HIGHLIGHTS

- Industrial controller for multi-side reading stations
- GENIUS<sup>TM</sup> configuration program
- Display and 6-key keypad for diagnostics/statistics
- Rugged industrial housing
- Built-in Ethernet, Profibus and Devicenet connectivity
- Modem connection support
- Enables management of systems redundancy and fast scanner replacement in cases of failure

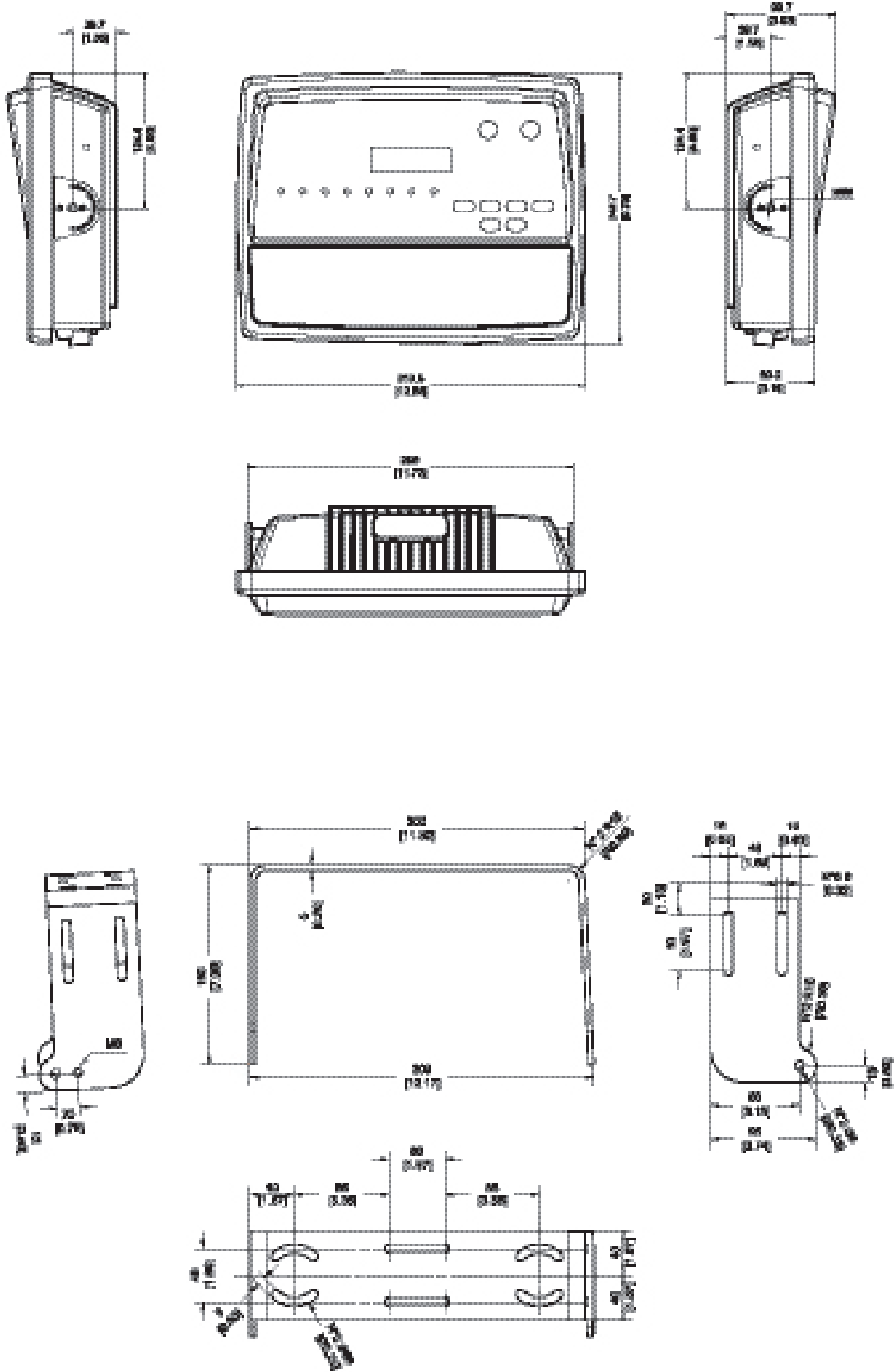
## GENERAL DESCRIPTION

SC6000 is a Datalogic industrial controller specifically designed for omnidirectional and multi-side reading tunnels. SC6000 is based on a robust alloy case divided into two sections: the upper section is composed of a display, keypad and LEDs. The lower section contains the mother board, removable Compact-Flash memory, field bus boards and connector panel. It offers all necessary tools enabling System Installation and Setup, Testing and Maintenance of an omnidirectional reading tunnel. The SC6000 key features are:

- Bus Controller: cluster management and Host interface of a multi-side reading tunnel based on a Lonworks bus.
- Simple and effective diagnostic indications based on a display and LEDs, enabling quick and easy maintenance.
- Remote visibility of all main reading station information thanks to built-in Ethernet, field bus Modem connectivity.



DIMENSIONS



mm / inch

## MODELS

MODELS	
Order No.	Description
935701000	SC6000-1200 UNIV. CONTROLLER, ETHERNET
935701001	SC6000-1211 UNIV. CONTROLLER, ETHERNET, PROFIBUS
935701002	SC6000-1215 UNIV. CONTROLLER, ETHERNET, DEVICENET
935701003	SC6000-1230 UNIV. CONTROLLER, ETHERNET, ETHERNET

## TECHNICAL DATA

DIMENSIONS	193 x 180 x 71 mm (7.60 x 7.09 x 2.79 in.)
WEIGHT	960 g. (33.86 oz.)
POWER SUPPLY	10 to 30 VDC
POWER CONSUMPTION	5 W max
OPERATING TEMPERATURE	0 to 50 °C (32 to 122 °F)
STORAGE TEMPERATURE	-20 to 70 °C (-4 to 158 °F)
HUMIDITY	90% non condensing
PROTECTION CLASS	IP64
SHOCK RESISTANCE	EN 60068-2-27 30G; 11ms; 3 shocks on each axis
VIBRATION RESISTANCE	EN 60068-2-6 1.5mm; 10 to 55 Hz; 2 hours on each axis
DISPLAY & KEYPAD	20 x 4 characters & 6 keys
DIAGNOSTIC LEDS	Power, TX/RX Data, Ethernet, PS, PS AUX, TACH, Network, Scanner, Controller
COMMUNICATION INTERFACES	Auxiliary: RS232 up to 115.2 Kbit/s Main: RS232/RS485 up to 115.2 Kbit/s, optocoupled Modem: RS232
OTHER AVAILABLE INTERFACES	Ethernet Ethernet and Profibus Ethernet and DeviceNet Ethernet and Ethernet
RAM MEMORY	16 MB
STORAGE MEMORY	2MB FLASH; 32 MB Compact FLASH
DIGITAL I/O	3 inputs/6 outputs, optocoupled
SENSOR SIGNALS	3 inputs (TACH, PS, PS AUX), optocoupled
RELAY SIGNALS	3 outputs
DEVICE PROGRAMMING	Windows™ based SW (Genius™) via Serial or Ethernet link Serial Host Mode Programming sequences