

CBX Series

Industrial Connection Boxes

Highlights

CBX Series are industrial connection boxes designed to speed up installation, configuration and maintenance tasks of Datalogic Automation's 1D/2D code readers. The complete range of optional modules provides connectivity to the most common fieldbus systems while extending communication capabilities.

• COST EFFECTIVE

CBX Series features an extremely low cost of ownership by reducing installation time, and, in case of replacement, minimizing system downtime. CBX Series is the standard connectivity solution for Datalogic Automation product offer.

• EASE OF INSTALLATION

Installation is simplified thanks to accessible through-holes for mounting screws with closed box. Optional adapters are available for fast fixing to Bosch profiles and DIN rail mounting.

• EASE OF WIRING

Pinout standardization simplifies wiring to the appropriate terminal block. In addition, the accessible spring clamps allow easy cabling operation.

• EASE OF MAINTENANCE

Fast access to service interface allows comfortable analysis and sw parameters optimization alongside with standard reading operation. When quick and reliable replacement is needed, CBX Series takes advantage of the optional Backup module. This memory unit simplifies Backup and Restore procedures while granting secure and rapid replacement.

• INDUSTRIAL STRENGTH

CBX Series features IP65 (NEMA 4) protection class and an operating temperature up to +50°C (+122 °F).

Features

- Standard connectivity solution for Datalogic Automation complete offer
- Extreme low cost of ownership
- IP65 (NEMA 4) rated industrial design
- Flexible mounting and simplified wiring to speed up the installation
- Reliable Backup and Restore feature to minimize plant downtime
- Comfortable connectivity to Ethernet, Profibus and DeviceNet network with open architecture for extensions
- Multilanguage Display for easy monitoring and troubleshooting
- Visible Power and I/O indicators and convenient Power on/off switch

- Time saving through comprehensible networking with the periphery
- Time saving through Ease-of-use and fast installation
- Code reader diagnosis and monitoring through display
- Rapid and simple troubleshooting

Applications

- Manufacturing
- Shop Floor
- Warehousing

CBX Series

Specifications

Accessories

Models

Art.No.	Description
93A301067	CBX100 CONNECTION BOX COMPACT
93A301068	CBX500 CONNECTION BOX MODULAR

Accessories

Art.No.	Description	CBX100	CBX500
93ACC1808	BM100 BACKUP MODULE		
93ACC1809	BM150 DISPLAY MODULE		
93ACC1810	BM300 PROFIBUS MODULE		
93ACC1811	BM310 PROFIBUS IP65 MODULE		
93ACC1812	BM500 ETHERNET MODULE		
93ACC1813	BM510 ETHERNET IP65 MODULE		
93ACC1840	BM520 ETHERNET IP54 MODULE		
93ACC1814	BM400 DEVICENET IP65 MODULE		
93ACC1821	BA100 DIN RAIL ADAPTERS		
93ACC1822	BA200 BOSCH ADAPTERS		
93ACC1827	ADP-FF1 GENDER CHANGER 25P F/F (5PCS)		

Technical Data

Dimensions (L x W x H):	CBX100 128 x 137 x 62 mm CBX500 192 x 180 x 71 mm
Weight:	CBX100 360g - (12.70 oz) CBX500 700g - (24.71 oz)
Power Supply:	10 to 30 Vdc
Power Consumption:	Max 2.5 W (CBX100 & CBX500)
Protection Class:	IP65
Shock Resistance:	EN 60068-2-27 30G; 11ms 3 shocks on each axis
Vibration Resistance:	EN 60068-2-6 1.5mm; 10 TO 55 Hz; 2 hours on each axis
Operating Temperature:	-10 to 50° C (14 to 122° F)
Humidity:	90% non condensing
Storage Temperature:	-20 to 70° C (-4 to 158° F)
Display & Keypad:	20 x 4 characters & 3 keys
Diagnostic Leds:	Power Supply, Ext. Trigger, IN2, OUT1, OUT2
Communication Protocol:	Datalogic Application Driver (DAD Driver)
Handshaking:	Message fragmentation and flow control
Address Setting:	HW Switches, Genius™
Exchange Memory For I/O Data:	Up to 128 bytes
Compatible devices:	DS2100N, DS2400N, DS4800, DS6300, DS6400, DX6400, DS8100A, DX8200A, MATRIX-400™

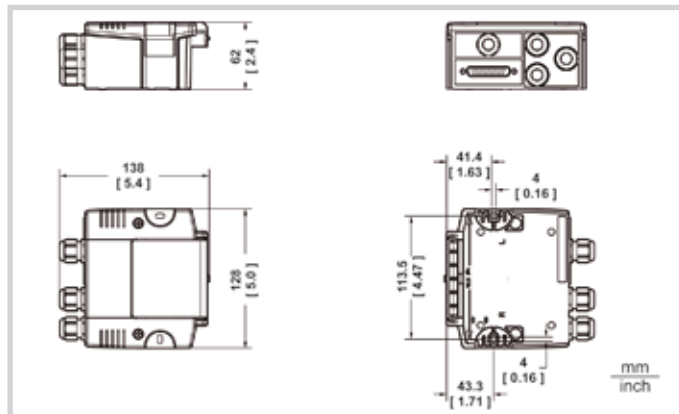
Backup Module

Fieldbus Module

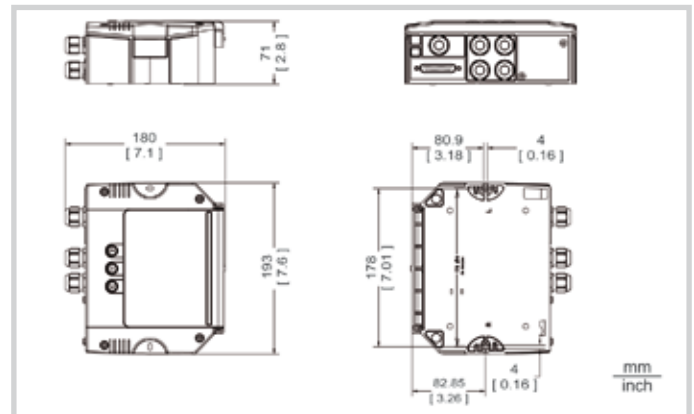
Display Module

Dimensions

CBX100 CONNECTION BOX COMPACT



CBX500 CONNECTION BOX MODULAR



Product and Company names and logos referenced may be either trademarks or registered trademarks of their respective companies. We reserve the right to make modifications and improvements.

Printed in Italy, December 2007



9C0005587

For more information and software downloads see: www.automation.datalogic.com/CBXSERIES

DATALOGIC™

DATALOGIC AUTOMATION