

C-Box Line

Industrial Connection Box Product Line



Unattended Scanning Systems

General Description

The Datalogic C-Box Line is the ideal solution to simplify and speed up cabling operations during the installation of barcode readers. It can be connected to the most important fieldbuses in the market.

The C-Box line has been designed to be used with the scanners of the 1000, 2000, 4000 and 6000 series and Matrix™, as well as the Gryphon and Dragon hand-held readers.

The C-Box Line is equipped with an internal terminal block made of practical spring clamps and 5 external cable glands for easy cabling operations. Connection to the scanner is made through an external standard D-Shell 25 pin connector. All models have an internal standard D-Shell 9 pin connector to access the auxiliary service interface of the scanner. The ease of use is enhanced thanks to an internal switch and Led, which control the power supply status, and an external display and keypad (C-Box 310/410).

System downtime is reduced and scanner replacement is quick because it is possible to GET, STORE and SEND the configuration of the connected product directly in the non volatile internal memory of the C-Box 200, 3x0 and 4x0.

The C-Box 300/310 have built-in Profibus DP connectivity, while the C-BOX 400/410 offer built-in connectivity to DeviceNet, allowing the reader to be directly connected to the fieldbus with no need for wiring a proprietary intermediate bus. Connection to the fieldbus is fast with an external standard D-Shell 9 pin connector (Profibus DP) or an external industrial M12 connector (DeviceNet).

Both the connected products and the fieldbus interfaces can be set through the use of the Winhost™ set-up program.

Features

- > Standardization: unique solution for the entire Datalogic scanner range
- > Fast installation and maintenance :
 - Ease and flexibility in the cabling operation
 - Fast access to the auxiliary interface of the product
 - Power supply switch and LED
- > Possibility to GET/STORE and SEND the configuration of the connected products
- > Connectivity to Profibus DP and DeviceNet
- > Display versions
- > Winhost™ configuration SW
- > Cost Effective

Applications

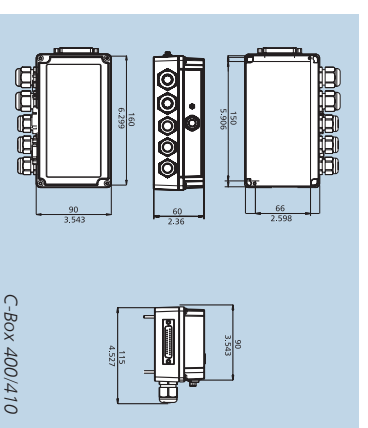
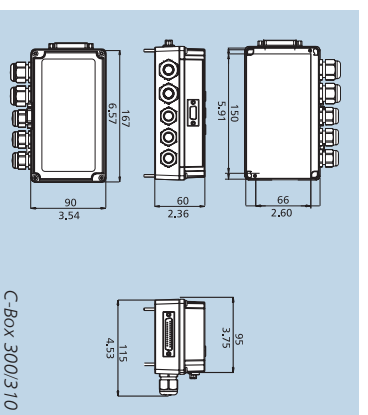
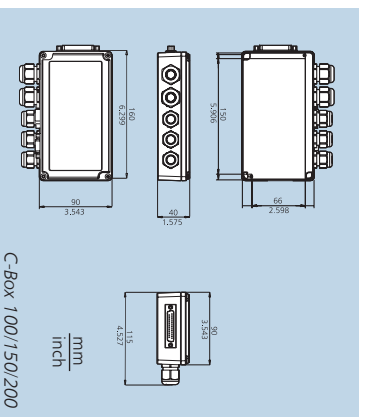
- > Manufacturing
- > Shop Floor
- > Warehousing

Specifications

	C-BOX 100	C-BOX 150	C-BOX 200	C-BOX 300	C-BOX 310	C-BOX 400	C-BOX 410
ELECTRICAL CHARACTERISTICS							
POWER SUPPLY	10 to 30 Vdc	10 to 30 Vdc	10 to 30 Vdc	10 to 30 Vdc	10 to 30 Vdc	10 to 30 Vdc	10 to 30 Vdc
POWER CONSUMPTION	Max 2.5 W	Max 2.5 W	Max 1.4 W	Max 3.5 W	Max 3.5 W	Max 3 W	Max 4.5 W
USER INTERFACE							
LEDS	Yes	Yes	Yes	Yes	Yes	Yes	Yes
DISPLAY & KEYPAD	No	No, 3 keys	No, 3 keys	No, 2 int. keys	Yes Yes, 3 keys	No, 3 int. keys	Yes Yes, 3 keys
PHYSICAL CHARACTERISTICS							
WEIGHT	Approx. 320g (11.29 oz)	Approx. 410g (14.48 oz)	Approx. 340 g (12 oz)	Approx. 440 g (15.51 oz)	Approx. 500 g (17.63 oz)	Approx. 470 g (16.50 oz)	Approx. 530 g (18.70 oz)
SOFTWARE FEATURES							
CONFIGURATION STORAGE		Non volatile internal memory	Non volatile internal memory	Non volatile internal memory	Non volatile internal memory	Non volatile internal memory	Non volatile internal memory
CONFIGURATION		WINHOST™	WINHOST™	WINHOST™	WINHOST™	WINHOST™	WINHOST™
CONNECTIVITY							
COMMUNICATION PROTOCOL			Multidrop MUX32 RS485 (optocoupled)	Profibus DP	Profibus DP	DeviceNet CAN	DeviceNet CAN
INTERFACE TYPE			Up to 56 Kbit/s	Up to 12 Mbit/s	Up to 12 Mbit/s	125, 250, 500 Kbit/s	Up to 32 bytes
DATA TRANSFER RATE			HW Switches	Up to 32 bytes	Up to 32 bytes	Up to 32 bytes	Up to 32 bytes
EXCHANGE I/O MEMORY				HW Switches, WINHOST™ Message fragmentation and flow control	HW Switches, WINHOST™ Message fragmentation and flow control	HW Switches, WINHOST™ Message fragmentation and flow control	HW Switches, WINHOST™ Message fragmentation and flow control
ADDRESS SETTING							
HANDSHAKING							
ENVIRONMENTAL FEATURES							
OPERATING TEMPERATURE			-10 to 50° C (14 to 122° F)				
STORAGE TEMPERATURE			-20 to 70° C (-4 to 158° F)				
HUMIDITY			90% non condensing				
VIBRATION RESISTANCE			IEC 68-2 Test FC 1.5 mm; 10 to 55 Hz; 2 hours on each axis				
SHOCK RESISTANCE			IEC 68-2-27 Test EA 30 G; 11 ms; 3 shocks on each axis				
PROTECTION CLASS			IP64				
SCANNERS SUPPORTED							
DS1100*/DS2200*	X	X	X	X	X	X	X
DS2100A/DS2400A	X	X	X	X	X	X	X
DS4600A	X	X	X	X	X	X	X
DS6X00/DX6X00	X	X	X	X	X	X	X
DS8100A/DX8200A	X	X	X	X	X	X	X
Matrix™	X		X	X	X	X	X

* The 10 to 30 Vdc versions

Dimensions



Product and Company names and logos referenced may be either trademarks or registered trademarks of their respective companies. We reserve the right to make modifications and improvements.

